

MINICUT

Bohrungsbearbeitung

grooving, boring and profiling

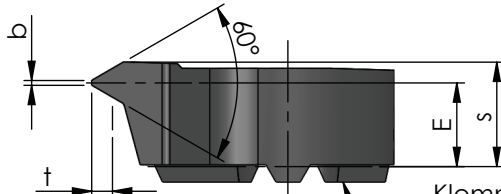
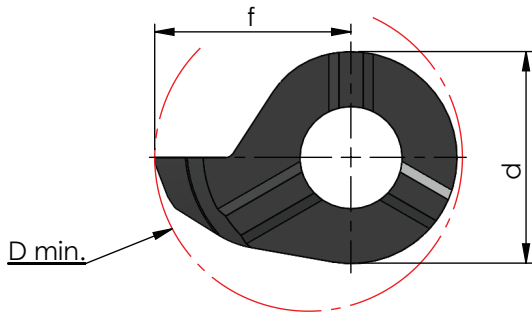
Typ Gewindedrehen

metrisches ISO-Gewinde,
innen Teilprofil

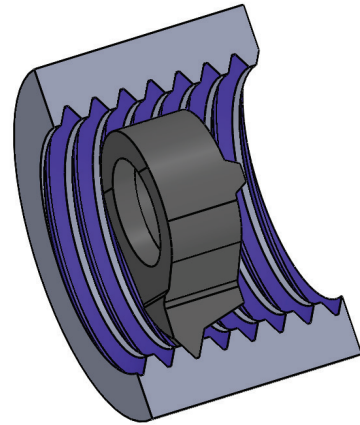
metric ISO-thread,
internal partial profile

Bohrungs-Ø ab 8 / 9 mm

bore Ø from 8 / 9 mm



Klemmhalter Stirnseite
toolholder face



Rechts (R): wie gezeichnet
Links (L): spiegelbildlich

Ausführung rechts (R) oder
links (L) angeben

Abmessungen in mm

righthand (R): as shown
lefthand version (L): mirror image

state right (R) or left (L) version

dimensions in mm



| Bestellnummer part number | P Steigung P pitch | t | b | f | s | d | E | D min. | K10F | AL41F | P18C | Klemmhalter Typ toolholder type |
|------------------------------|-----------------------|------|------|-----|------|-----|------|--------|------|-------|------|------------------------------------|
| R/L S08.0205.01 | 0.5-0.75 | 0.43 | 0.06 | 4.8 | 3.5 | 6 | 2.95 | 8 | ● | | | |
| R/L S08.0510.01 | 1.0-1.25 | 0.7 | 0.12 | 4.8 | 3.5 | 6 | 2.7 | 8 | ● | | | 608 |
| R/L S08.0815.01 | 1.5-1.75 | 0.95 | 0.18 | 4.8 | 3.5 | 6 | 2.25 | 8 | ● | | | |
| R/L S09.0205.01 | 0.5-0.75 | 0.27 | 0.06 | 5.5 | 3.55 | 6.2 | 3.2 | 9 | ● | | | |
| R/L S09.0510.01 | 1.0-1.25 | 0.54 | 0.12 | 5.5 | 3.55 | 6.2 | 3.0 | 9 | ● | | | |
| R/L S09.0815.01 | 1.5-1.75 | 0.81 | 0.18 | 5.5 | 3.55 | 6.2 | 2.8 | 9 | ● | | | |
| R/L S09.0917.01 | 1.75-2.0 | 0.95 | 0.20 | 5.5 | 3.55 | 6.2 | 2.6 | 9 | ● | | | 609 |
| R/L S09.1020.01 | 2.0-2.5 | 1.08 | 0.25 | 5.5 | 3.55 | 6.2 | 2.5 | 9 | ● | | | |
| R/L S09.1325.01 | 2.5-3.0 | 1.35 | 0.31 | 5.5 | 3.55 | 6.2 | 2.1 | 9 | ● | | | |
| R/L S09.1630.01 | 3.0-3.5 | 1.62 | 0.37 | 5.5 | 3.55 | 6.2 | 1.9 | 9 | ● | | | |

Weitere HM Sorten können Sie in der Sorten-
übersicht im Kapitel "Technische Hinweise" und
der Preisliste finden.

Bestellbeispiel:
für rechte Ausführung und Sorte
RS08.0205.01/AL41F

More carbide grades you can find in the grades
summary in the chapter "technical instructions"
and in the price list.

order-example:
righthand version and grade
RS08.0205.01/AL41F



MINICUT

Bohrungsbearbeitung

grooving, boring and profiling

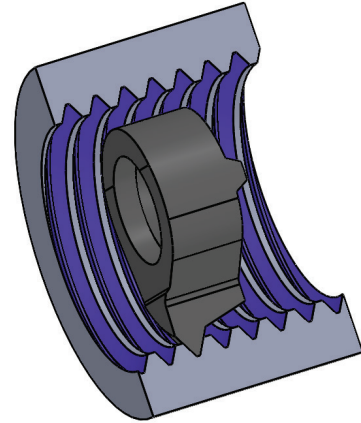
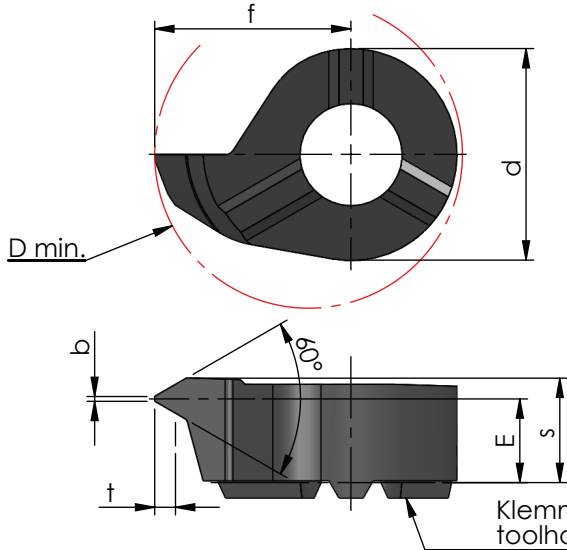
Typ Gewindedrehen

metrisches ISO-Gewinde,
innen Teilprofil

metric ISO-thread,
internal partial profile

Bohrungs-Ø ab 11 / 14 / 16 mm

bore Ø from 11 / 14 / 16 mm



Klemmhalter Stirnseite
toolholder face

Rechts (R): wie gezeichnet
Links (L): spiegelbildlich

Ausführung rechts (R) oder
links (L) angeben

Abmessungen in mm

righthand (R): as shown
lefthand version (L): mirror image

state right (R) or left (L) version

dimensions in mm

| Bestellnummer part number | P Steigung P pitch | t | b | f | s | d | E | D min. | K10F | AL41F | P18C | Klemmhalter Typ toolholder type |
|------------------------------|-----------------------|------|------|------|-----|----|------|--------|------|-------|------|------------------------------------|
| R/L S11.0205.01 | 0.5-0.75 | 0.41 | 0.06 | 6.7 | 4.3 | 8 | 3.75 | 11 | ● | | | |
| R/L S11.0510.01 | 1.0-1.25 | 0.55 | 0.12 | 6.7 | 4.3 | 8 | 3.6 | 11 | ● | | | |
| R/L S11.0815.01 | 1.5-1.75 | 0.81 | 0.18 | 6.7 | 4.3 | 8 | 3.2 | 11 | ● | | | 611 |
| R/L S11.1020.01 | 2.0-2.5 | 1.08 | 0.25 | 6.7 | 4.3 | 8 | 2.9 | 11 | ● | | | |
| R/L S11.1325.01 | 2.5-3.0 | 1.35 | 0.31 | 6.7 | 4.3 | 8 | 3.0 | 11 | ● | | | |
| R/L S14.0510.01 | 1.0-1.25 | 0.55 | 0.12 | 9.0 | 5.4 | 9 | 4.6 | 14 | ● | | | |
| R/L S14.0815.01 | 1.5-1.75 | 0.81 | 0.18 | 9.0 | 5.4 | 9 | 4.3 | 14 | ● | | | 614 |
| R/L S14.1020.01 | 2.0-2.5 | 1.08 | 0.25 | 9.0 | 5.4 | 9 | 3.9 | 14 | ● | | | |
| R/L S14.1325.01 | 2.5-3.0 | 1.35 | 0.31 | 9.0 | 5.4 | 9 | 3.65 | 14 | ● | | | |
| R/L S16.0510.01 | 1.0-1.25 | 0.55 | 0.12 | 10.2 | 5.5 | 11 | 4.8 | 16 | ● | | | |
| R/L S16.0815.01 | 1.5-1.75 | 0.81 | 0.18 | 10.2 | 5.5 | 11 | 4.3 | 16 | ● | | | 616 |
| R/L S16.1020.01 | 2.0-2.5 | 1.08 | 0.25 | 10.2 | 5.5 | 11 | 3.9 | 16 | ● | | | |
| R/L S16.1325.01 | 2.5-3.0 | 1.35 | 0.31 | 10.2 | 5.5 | 11 | 3.7 | 16 | ● | | | |

Weitere HM Sorten können Sie in der Sorten-
übersicht im Kapitel "Technische Hinweise" und
der Preisliste finden.

Bestellbeispiel:
für rechte Ausführung und Sorte
RS14.0510.01/AL41F

More carbide grades you can find in the grades
summary in the chapter "technical instructions"
and in the price list.

order-example:
righthand version and grade
RS14.0510.01/AL41F